

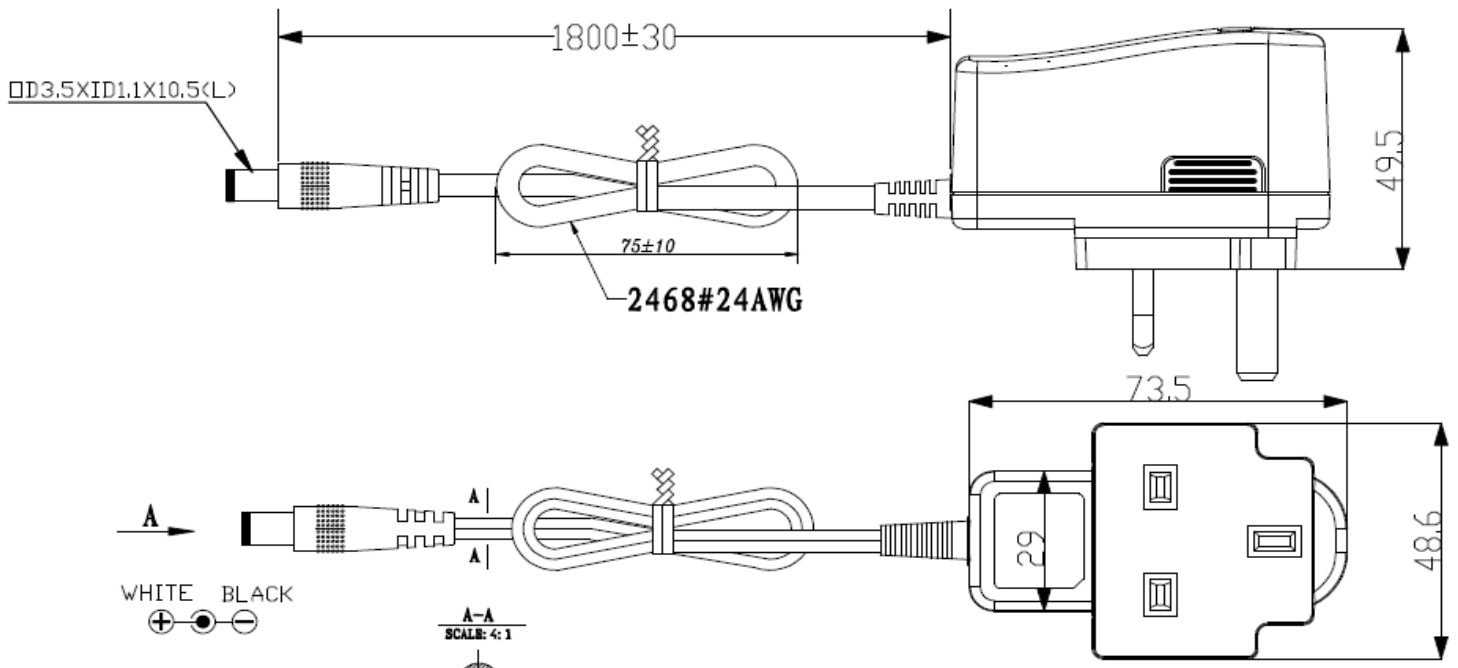
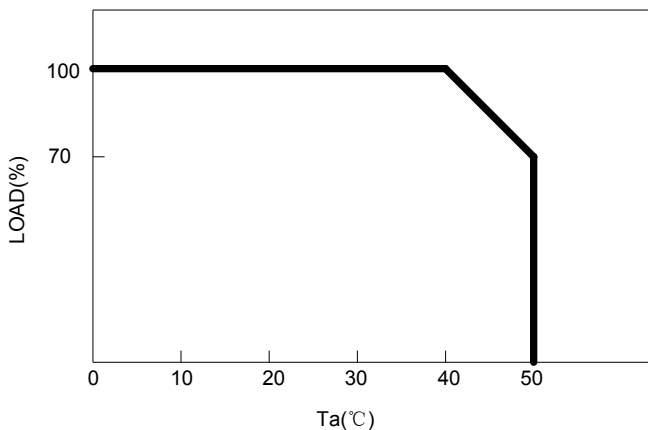

■ Features :

- Universal AC input / Full range
- No load power consumption < 0.4W
- Class II power (without earth pin)
- Constant current and voltage (CC, CV mode)
- 2 color LED indicates charging status
- Protections: Short circuit / Over load / Over voltage
- Fully enclosed plastic case
- Approvals: CE /CB
- 2 year warranty


SPECIFICATION

ORDER NO.	HR05NU042-100	HR05NU084-070	HR05NU126-045	HR05NU168-035	HR05NU210-028	HR05NUABC-XYZ		
OUTPUT	DC VOLTAGE Note.2	4.2V	8.4V	12.6V	16.8V	21V	3~24V	
	RATED CURRENT	1.0A	0.7A	0.45A	0.35A	0.28A	0~1.0A	
	CURRENT RANGE	0~1.0A	0~0.7A	0~0.47A	0~0.35A	0~0.28A	0~1.0A	
	RATED POWER	4.2W	5.88W	5.67W	5.88W	5.88W	6WMax	
	RIPPLE & NOISE (max.)	200mVp-p	200mVp-p	200mVp-p	240mVp-p	240mVp-p	240mVp-p	
	VOLTAGE ADJ. RANGE	2.7~4.2V		5.4~8.4V	8.1~12.6V	10.8~16.8V	13.5~21V	3~24V
		Fixed						
	VOLTAGE TOLERANCE	±5.0%	±5.0%	±5.0%	±5.0%	±3.0%		
	LINE REGULATION Note.5	±1.0%	±0.5%	±0.5%	±0.5%	±0.5%		
	LED INDICATOR	Green LED ON : <90mA Red LED ON : >200mA of charge current						
SETUP, RISE, HOLD UP TIME	3000ms, 50ms, 16ms at full load							
INPUT	VOLTAGE RANGE	90 ~ 264VAC 135 ~ 370VDC						
	FREQUENCY RANGE	47 ~ 63Hz						
	EFFICIENCY (Typ.) Note.7	60%	60%	65%	65%	66%		
	AC CURRENT	0.3A/100VAC						
	INRUSH CURRENT (Typ.)	50A/230VAC						
	LEAKAGE CURRENT (max.)	0.25mA / 240VAC						
PROTECTION	OVER LOAD	90 ~ 110% Constant current mode						
		Protection type : Hiccup mode, recovers automatically after fault condition is removed						
	OVER VOLTAGE	135 ~ 180% rated output voltage						
		Protection type : Clamp by PWM IC						
ENVIRONMENT	WORKING TEMP.	0 ~ + 40°C (Refer to output load derating curve)						
	WORKING HUMIDITY	20% ~ 90% RH non-condensing						
	STORAGE TEMP., HUMIDITY	-20 ~ +85°C , 10 ~ 95% RH						
	TEMP. COEFFICIENT	±0.03% /°C (0 ~ 50°C)						
	VIBRATION	10 ~ 500Hz, 2G 10min./1cycle, period for 60min. each along X, Y, Z axes						
SAFETY & EMC (Note.8)	SAFETY STANDARDS	UL60950-1, CSA 22.2, EN60950-1 Approved						
	WITHSTAND VOLTAGE	I/P-O/P:3KVAC						
	ISOLATION RESISTANCE	I/P-O/P:100M Ohms / 500VDC / 25°C / 70% RH						
	EMICONDUCTION & RIATION	Compliance to EN55022 class B, FCC PART 15 class B						
	HARMONIC CURRENT	Compliance to EN61000-3-2,3						
	EMS IMMUNITY	Compliance to EN61000-4-2,3,4,5,6,11, Light industry level, criteria A						
OTHERS	MTBF	50000hrs min. MIL-HDBK-217F (25°C)						
	DIMENSION	73.5*48.6*49.5mm (L*W*H)						

	PACKING (Typ.)	86.6g ;
CONNECTOR	PLUG	Standard type : 2.1Φ* 5.5Φ* 10mm, tuning fork type center positive available; Other type available per customer request
	CABLE	Standard type 24Awg UL2468 ,Other type available per customer request
NOTE	1.All parameters are specified at 230VAC input, rated load, 25 70% RH ambient. 2.DC voltage: The output voltage set at point measure by plug terminal & 50% load. 3.Ripple & noise are measured at 20MHz by using a 12" twisted pair terminated with a 0.1uf & 47uf capacitor. 4.Tolerance: includes set up tolerance, line regulation, load regulation. 5.Line regulation is measured from low line to high line at rated load. 6.Load regulation is measured from 0% to 100% rated load 7.Efficiency is measured at 230VAC. 8.The power supply is considered a component which will be installed into a final equipment. The final equipment must be re-confirmed that it still meets EMC directives.	

Mechanical Specification

Derating Curve

Static Characteristics
